

# Network Video Recorder

## NVR204E Series



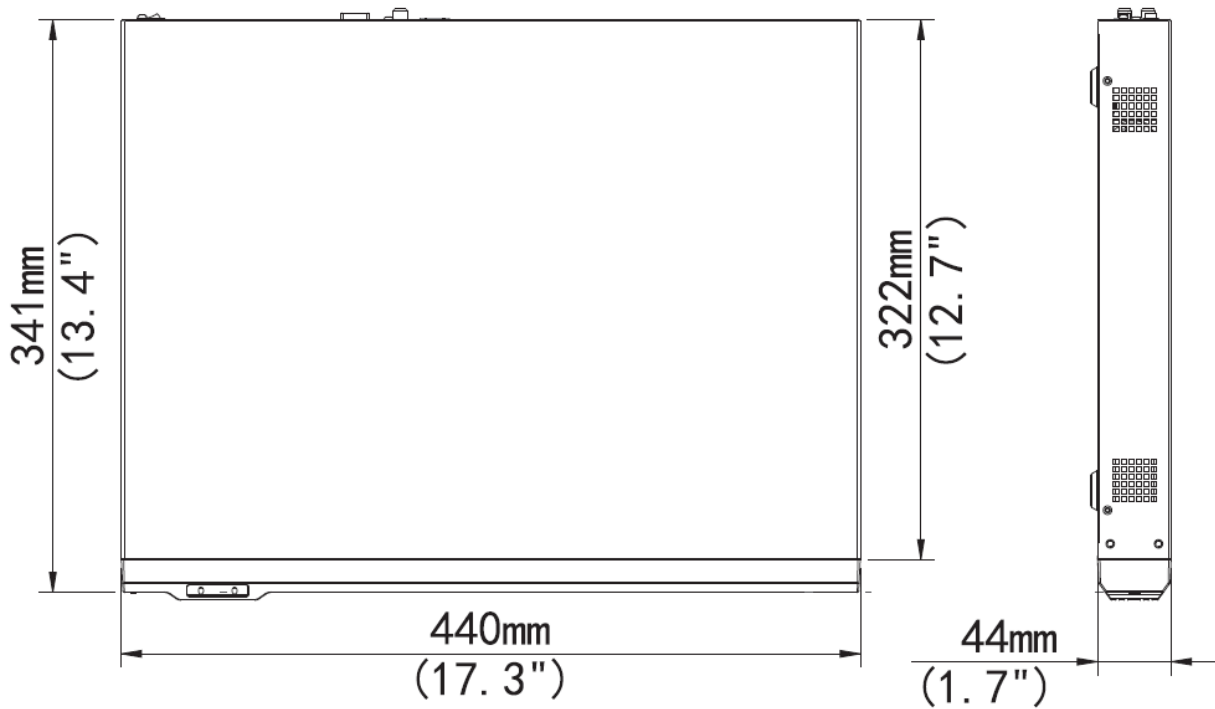
### Key Features

- 16/32-channel input
- Third-party IP cameras supported with ONVIF conformance
- HDMI and VGA output up to 1080P
- Up to 4 Megapixels resolution recording
- Accurate retrieval, instant playback
- 4 SATA HDD up to 24 TB
- Support for P2P, UPnP, NTP, DHCP, PPPoE
- Support for mobile client access

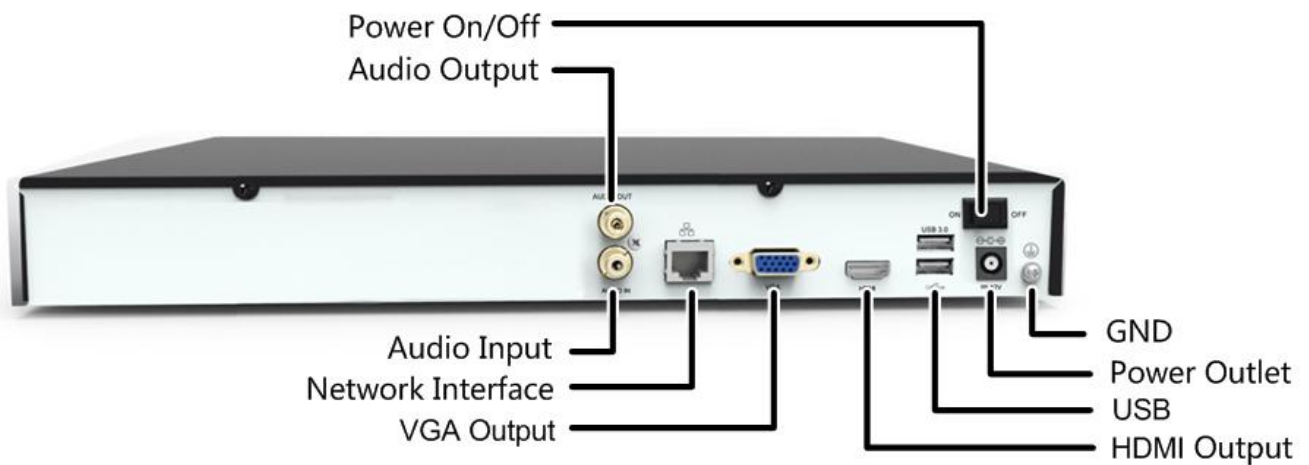
## Specifications

	NVR204-16E	NVR204-32E
<b>Video and Audio</b>		
IP Video Input	16-ch	32-ch
Two-way audio Input	1-ch, RCA	
<b>Network</b>		
Incoming bandwidth	160Mbps	200Mbps
Outgoing bandwidth	96Mbps	
Remote connection	128	
<b>Video/Audio Output</b>		
HDMI/VGA Output	HDMI/VGA: 1920x1080p /60Hz, 1920x1080p /50Hz, 1600x1200 /60Hz, 1280x1024 /60Hz, 1280x720 /60Hz, 1024x768 /60Hz	
Recording Resolution	4MP/3MP/1080p/960p/720p/D1/2CIF/CIF	
Audio Output	1-ch, RCA	
Synchronous Playback	16-ch	
<b>Decoding</b>		
Compression	H.264	
Live view/Playback	4MP/3MP/1080p/960p/720p/D1/2CIF/CIF	
Capability	4 x 4MP@20, 6 x 1080p@25, 16 x 720p@25, 32 x D1	
<b>Hard Disk</b>		
SATA	4 SATA interfaces	
Capacity	up to 6TB for each disk	
<b>External Interface</b>		
Network Interface	2 RJ-45 10M/100M/1000M self-adaptive Ethernet Interfaces	
Network Function	HTTP, TCP/IP, IPV4, UPNP, RTSP, UDP, SMTP, NTP, DHCP, DNS, IP Filter, PPPOE, DDNS, FTP, IP Server, P2P	
Serial Interface	1 x RS-485	
USB Interface	Front panel: 1 x USB2.0 Rear panel: 1 x USB2.0, 1 x USB3.0	
Alarm In	8-ch	
Alarm Out	2-ch	
<b>General</b>		
Power Supply	12V DC	
Consumption ( without HDD )	≤ 8 W	
Working Temperature	-10°C ~ + 55°C ( +14°F ~ +131°F )	
Working Humidity	10% ~ 90%	
Dimensions	44 × 440 × 341mm ( 1.7" × 17.3" × 13.4" )	
Weight ( without HDD )	≤ 3.09 Kg ( 6.81 lb )	

## Dimensions



## Rear Panel



### Zhejiang Uniview Technologies Co., Ltd.

Building No.10, Wanlun Science Park, Jiangling Road 88, Binjiang District, Hangzhou, Zhejiang, China

Email: [overseasbusiness@uniview.com](mailto:overseasbusiness@uniview.com); [globalsupport@uniview.com](mailto:globalsupport@uniview.com)

<http://www.uniview.com>

©2011-2016 Zhejiang Uniview Technologies Co.,Ltd. All rights reserved.

\*Product specifications and availability are subject to change without notice.