

2MP WDR Starlight Network Box Camera

IPC562E-DUG



Key Features

Optics

- HD starlight surveillance
- Auto day/night functionality
- Up to 120 dB WDR(Wide Dynamic Range)
- 3D DNR (Digital Noise Reduction)

Compression

- H.265
- Triple streams
- ROI (Region of Interest)
- 9:16 corridor format

Network

- Optional network interfaces with Ethernet RJ45 and optical SFP
- ONVIF Conformance

Structure

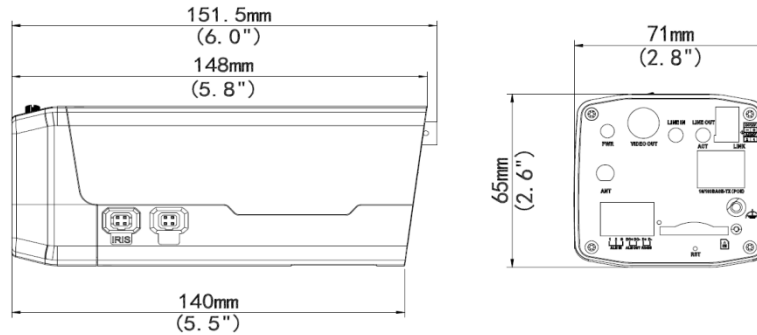
- AC 24V /DC 12 V/PoE with uninterruptible power supply
- Wide temperature range: -20°C to 60°C (-4°F to 140°F)
- Wide voltage range of $\pm 25\%$
- 6 KV surge protection designed for network interface

Specifications

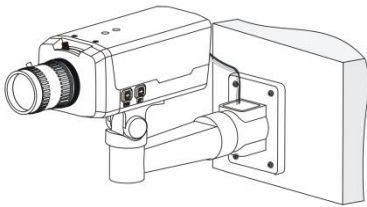
	IPC562E-DUG
Camera	
Sensor	1/1.9" CMOS, progressive scan
Day & Night	Automatically removable IR-cut filter(ICR)
Shutter	Auto/Manual, 1/6~1/8000 s
Min. Illumination	Colour: 0.002 Lux (F1.2, 50IRE) Black & White: 0.0002 Lux (F1.2, 50IRE)
S/N	>52dB
WDR	120dB
Lens Mount	CS
DC-Iris	DC 4V (4-Pin)
Motor Zoom/focus	DC 5V (4-Pin)
Video	
Max. Resolution	1920 × 1080
Video Compression	H.265, H.264
Frame Rate	1080P (1920×1080): Max. 60 fps; 720P (1280×720): Max. 60 fps; D1 (720×576): Max. 60 fps
9:16 Corridor Mode	Supported
ROI	Supported
Defog	Optical/Digital
Video Streaming	Triple
OSD	Up to 8 OSDs
Privacy Mask	Up to 4 areas
Audio	
Audio Compression	G.711
Two-way Talking	Supported
Storage	
Edge Storage	Micro SD, up to 128 GB
Network	
Protocols	L2TP, IPv4, IGMP, ICMP, ARP, TCP, UDP, DHCP, PPPoE, RTP, RTSP, DNS, DDNS, NTP, FTP, UPnP, HTTP, SNMP,SIP
Compatible Integration	ONVIF, API
Interface	
Audio I/O	3.5 mm audio interface
	Input: impedance 35 kΩ; amplitude 2 V [p-p]
	Output: impedance 600 Ω; amplitude 2 V [p-p]
Alarm I/O	2 / 1
Serial Port	1 RS485 (support Pelco-D/P)
Network	100M/1000M Base-FX SFP + 100M/1000M Base-TX Ethernet
Video Output	1 BNC, impedance 75 Ω; amplitude 1 V [p-p]
General	
Power	24 V AC, 12 V DC, or PoE (IEEE802.3 af)
	Power consumption: 4.8W (6.8W with ICR on)
Dimensions (L x W x H)	151.5 x 71 x 65 mm (6.0" x 2.8" x 2.6") (excluding the lens)

Weight	0.48 kg (1.1 lb)
Working Environment	-20°C ~ 60°C (-4°F ~ 140°F), Humidity ≤ 95% RH(non-condensing)

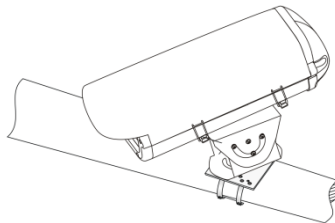
Dimensions



Installation



Bare mount



Housing mount

Accessories

Installation mode	Accessories	Description
Bare mount	TR-UM06-A-IN	Indoor wall, pendant, or desktop installation
Housing mount	Indoor housing: HS-108-IN Outdoor housing: HS-215S-IN, HS-215SHB-IN	Outdoor installation
Corridor Format mount	L-shaped mount: TR-SM06-IN	/

Zhejiang Uniview Technologies Co., Ltd.

Building No.10, Wanlun Science Park, Jiangling Road 88, Binjiang District, Hangzhou, Zhejiang, China (310051)

Email: overseasbusiness@uniview.com; globalsupport@uniview.com

<http://www.uniview.com>

©2015 Zhejiang Uniview Technologies Co., Ltd. All rights reserved.

*Product specifications and availability are subject to change without notice.