

# 1.3MP Network IR Fixed Dome Camera

IPC3231ER-DV(VS)



## Key Features

### Optics

- Day/night functionality
- Smart IR, up to 30 m (98 ft) IR distance
- Lowlight surveillance
- 3D DNR (Digital Noise Reduction)

### Compression

- H.265/H.264 High Profile
- Triple streams
- ROI (Region of Interest)
- 9:16 corridor mode

### Network

- ONVIF Conformance

### Structure

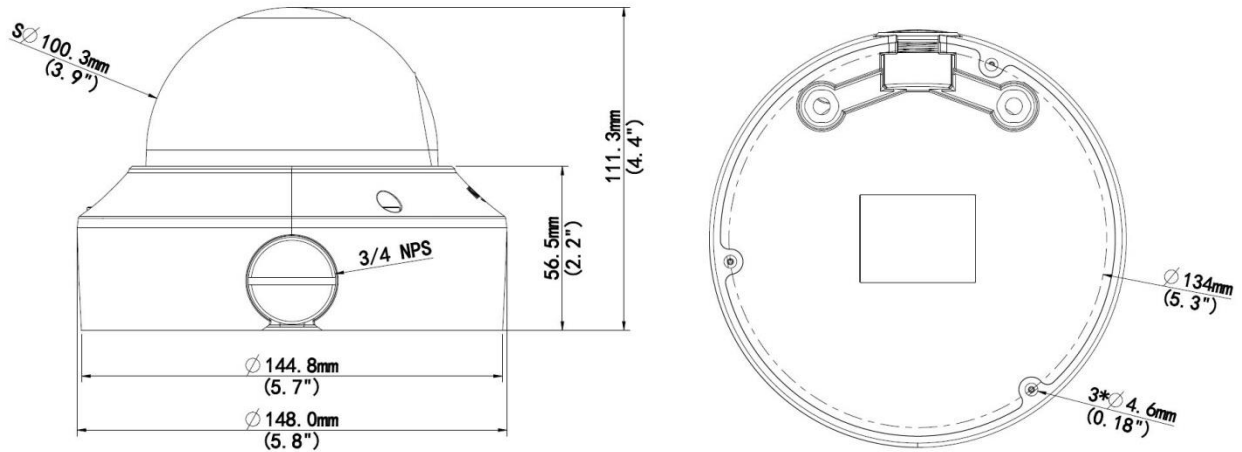
- Support PoE power supply
- Built-in PoE splitter that outputs DC 12V
- Wide temperature range: -40°C to 60°C (-40°F to 140°F)
- Wide voltage range of  $\pm 25\%$
- IK10 vandal resistant
- IP66

## Specifications

	IPC3231ER-DV	IPC3231ER-VS
<b>Camera</b>		
Sensor	1/3", 1.3 megapixel, progressive scan CMOS	
Shutter	Auto/Manual, 1/6~1/8000 s	
Lens	2.8~12 mm@F1.4; Angle of View (H): 90.0° (wide) ~28° (tele)	
Zoom/Focus	Manual	
Min. Illumination	Colour: 0.002 Lux (F1.4, AGC ON) 0 Lux with IR	
Day/Night	IR-cut filter with auto switch (ICR)	
IR Range	Up to 30m (98 ft) IR range	
S/N	>50dB	
WDR	120dB	Digital WDR
<b>Video</b>		
Max. Resolution	1280 × 960	
Video Compression	H.265,H.264,MJPEG	H.264,MJPEG
Capture Collect Mode	960P (1280×960): Max. 30 fps; 720P (1280×720): Max. 30 fps; D1 (720×576): Max. 25 fps	
9:16 Corridor Mode	Supported	
ROI	Supported	
Video Streaming	Triple	
OSD	Up to 8 OSDs	
Privacy Mask	Up to 4 areas	
<b>Audio</b>		
Audio Compression	G.711	N/A
Two-way audio	Supported	N/A
<b>Storage</b>		
Edge Storage	Micro SD, up to 128 GB	
<b>Network</b>		
Protocols	L2TP,IPv4,IGMP,ICMP,ARP,TCP,UDP,DHCP,PPPoE,RTP,RTSP,Qos,NTP,FTP,HTTP,SNMP,SIP	
Compatible Integration	ONVIF, API	
<b>Interface</b>		
Audio I/O	audio cable	N/A
	Input: impedance 35 kΩ; amplitude 2 V [p-p]	N/A
	Output: impedance 600 Ω; amplitude 2 V [p-p]	N/A
Alarm I/O	1/ 1	N/A
Network	1 RJ45 10M/100M Base-TX Ethernet	
Video Output	1 BNC, impedance 75 Ω; amplitude 1 V [p-p]	N/A
Reset	1 Reset Button	
Power Output	DC12V Power Output With PoE	
<b>General</b>		
Power	12 V DC, or PoE (IEEE802.3 af)	
	Power consumption: max.6.6 W (PoE :max.7.2 W)	
Dimensions (Ø x H)	Φ148 x 111.3 mm (Ø5.8" x 4.4")	

Weight	0.75 kg (1.7 lb)
Working Environment	-40°C ~ +60°C (-40°F ~ 140°F), Humidity ≤ 95% RH(non-condensing)
Vandal Resistant	IK10
Ingress Protection	IP66

## Dimensions



## Accessories

Installation mode	Accessories	Description
Ceiling mount	Mounting pedestal is included in the product package	For indoor ceiling installation

### Zhejiang Uniview Technologies Co., Ltd.

Building No.10, Wanlun Science Park, Jiangling Road 88, Binjiang District, Hangzhou, Zhejiang, China (310051)

Email: [overseasbusiness@uniview.com](mailto:overseasbusiness@uniview.com); [globalsupport@uniview.com](mailto:globalsupport@uniview.com)

<http://www.uniview.com>

©2015 Zhejiang Uniview Technologies Co., Ltd. All rights reserved.

\*Product specifications and availability are subject to change without notice.