

2MP Vandal-resistant Network IR Fixed Dome Camera

IPC322E-IR-F36(60)-IN



Key Features

Optics

- Day/night functionality
- SmartIR, up to 30 m (98 ft) IR distance
- 3D DNR (Digital Noise Reduction)

Compression

- Triple streams
- ROI (Region of Interest)
- Customized OSD

Network

- ONVIF Conformance

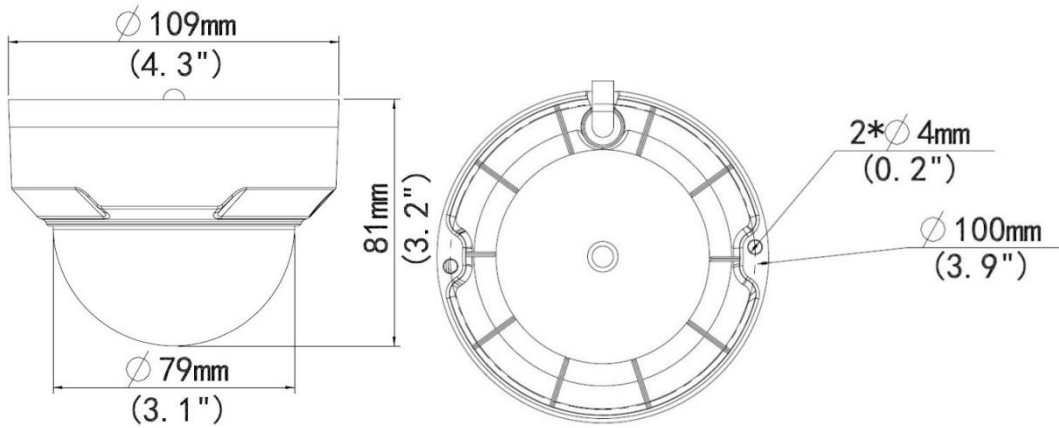
Structure

- Wide temperature range: -35°C to 60°C (-31°F to 140°F)
- Wide input voltage range of $\pm 25\%$
- IK10 vandal resistant
- IP66

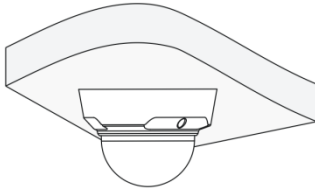
Specifications

| | IPC322E-IR-F36-IN | IPC322E-IR-F60-IN |
|------------------------|---|-------------------|
| Camera | | |
| Sensor | 1/2.8", 2 megapixel, progressive scan CMOS | |
| Shutter | Auto/Manual, 1/6~1/8000 s | |
| Lens | 3.6mm | 6 mm |
| Angle of View (H) | 84.7° | 53.2° |
| Day/Night | IR-cut filter with auto switch (ICR) | |
| Min. Illumination | Colour: 0.06 Lux (F1.6, 50IRE) Black & White: 0.03Lux (F1.6, 50IRE) | |
| S/N | >52dB | |
| Image Rotation | Supported | |
| Video | | |
| Max. Resolution | 1920 × 1080 | |
| Video Compression | H.264,MJPEG | |
| Frame Rate | 1080P (1920*1080) 30 fps; 720P (1280*720) 30 fps; D1 (720*576) 25 fps | |
| Video Streaming | Triple | |
| OSD | Up to 8 OSDs | |
| Privacy Mask | Up to 4 areas | |
| Audio | | |
| Audio Compression | G.711 | |
| Two-way audio | Supported | |
| Network | | |
| Protocols | L2TP,IPv4,IGMP,ICMP,ARP,TCP,UDP,DHCP,PPPoE,RTP,RTSP,Qos,NTP,FTP,HTTP,SNMP,SIP | |
| Compatible Integration | ONVIF, IMOS,API | |
| Interface | | |
| Audio I/O | Input: impedance 35 kΩ; amplitude 2 V [p-p] | |
| | Output: impedance 600 Ω; amplitude 2 V [p-p] | |
| Alarm I/O | 1/ 1 | |
| Network | 10M/100M Base-TX Ethernet | |
| General | | |
| Power | 12 V DC, or PoE (IEEE802.3 af) | |
| | Power consumption: 3.5W(5.5W with IR on) | |
| Dimensions (Ø x H) | Ø109 x 81 mm (Ø4.3" x 3.2") | |
| Weight | 0.45 kg (0.99 lb) | |
| Working Environment | -35°C ~ +60°C (-31°F ~ 140°F), Humidity ≤ 90% RH(non-condensing) | |
| Vandal Resistant | IK10 | |
| Ingress Protection | IP66 | |

Dimensions



Installation



Ceiling mount

Accessories

| Installation mode | Accessories | Description |
|-------------------|--|-------------|
| Ceiling mount | Mounting pedestal is included in the Product package | \ |

Zhejiang Uniview Technologies Co., Ltd.

South Tower, Building 10, Wanlun Science Park, 88 Jiangling Road, Hangzhou, P.R.China 310051

Email: overseasbusiness@uniview.com; globalsupport@uniview.com

<http://www.uniview.com>

©2015 Zhejiang Uniview Technologies Co., Ltd. All rights reserved.

*Product specifications and availability are subject to change without notice.