

# 2MP Low-light (Motorized)VF Vandal-resistant Network IR Fixed Dome Camera

IPC342E-VIR-Z-IN



## Key Features

### Optics

- Day/night functionality
- 3D DNR (Digital Noise Reduction)
- SmartIR, up to 30 m (98 ft) IR distance
- Built-in motorized lens for remote zoom and autofocus(-Z model support)

### Compression

- H.264 High Profile
- Triple streams
- ROI (Region of Interest)
- 9:16 corridor mode
- Customized OSD

### Network

- ONVIF Conformance

### Structure

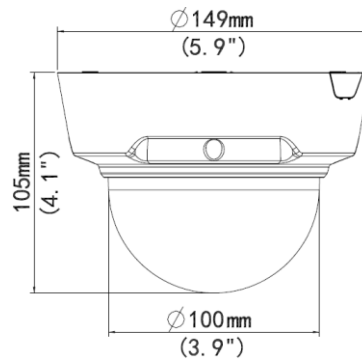
- Built-in PoE splitter that outputs DC 12V
- Wide voltage range of  $\pm 25\%$
- IK10 vandal resistant
- IP66

## Specifications

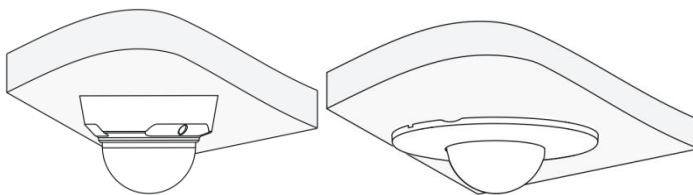
	IPC342E-VIR-Z-IN
<b>Camera</b>	
Sensor	1/2.8", 2 megapixel, progressive scan, low illumination CMOS
Shutter	Auto/Manual, 1/6~1/8000 s
Lens	3 to 10.5 mm, F1.4
Zoom/Focus	Motor drive
Angle of View (H)	102.4° (wide) to 27.4° (tele)
Min. Illumination	Colour: 0.03 Lux (F1.4, 50IRE) Black & White: 0.01Lux (F1.4, 50IRE)
Day/Night	IR-cut filter with auto switch (ICR)
S/N	>52dB
IR	Smart-IR , up to 30m (98 ft) IR range
<b>Video</b>	
Maximum Resolution	1920 × 1080
Video Compression	H.264,MJPEG
Frame Rate	1080P (1920*1080) 30 fps; 720P (1280*720) 30 fps; D1 (720*576) 25 fps
9:16 Corridor Mode	Supported
ROI(Region of Interest)	Supported
Video Streaming	Triple
OSD	Up to 8 OSDs
Privacy Mask	Up to 8 areas
<b>Audio</b>	
Audio Compression	G.711
Two-way audio	Supported
<b>Storage</b>	
Edge Storage	Micro SD, Up to 64 GB
<b>Network</b>	
Protocols	L2TP,IPv4,IGMP,ICMP,ARP,TCP,UDP,DHCP,PPPoE,RTP,RTSP,Qos,NTP,FTP,HTTP,SNMP,SIP
Compatible Integration	ONVIF, IMOS,API
<b>Interface</b>	
Audio I/O	3.5 mm audio interface
	Input: impedance 35 kΩ; amplitude 2 V [p-p]
	Output: impedance 600 Ω; amplitude 2 V [p-p]
Alarm I/O	2 / 1
Serial Port	1 RS485
Network	10M/100M Base-TX Ethernet
Video Output	1 BNC, impedance 75 Ω; amplitude 1 V [p-p]
<b>General</b>	
Power	12 V DC, or PoE (IEEE802.3 af)
	Power consumption: 4.5 W (8.7W with IR on)

Dimensions (∅ x H)	∅149 x 105 mm (∅5.9" x 4.1")
Weight	0.75 kg (1.7 lb)
Working Environment	-35°C ~ +60°C (-31°F ~ 140°F), Humidity ≤ 90% RH(non-condensing)
Vandal Resistant	IK10
Ingress Protection	IP66

## Dimensions



## Installation



Ceiling mount

In-ceiling mount

## Accessories

Installation mode	Accessories	Description
Ceiling mount	Mounting pedestal is included in the product package	For indoor ceiling installation
In-ceiling mount	TR-FM152-IN bracket	For indoor in-ceiling installation
Wall mount	TR-WM04-IN	For indoor wall installation, including junction box
	TR-JB07/WM04-IN	For outdoor wall installation, including junction box
Pendant mount	TR-UF45-IN+ TR-CE45-IN	\

### Zhejiang Uniview Technologies Co., Ltd.

South Tower, Building 10, Wanlun Science Park, 88 Jiangling Road, Hangzhou, P.R.China 310051

Email: [overseasbusiness@uniview.com](mailto:overseasbusiness@uniview.com); [globalsupport@uniview.com](mailto:globalsupport@uniview.com)

<http://www.uniview.com>

©2015 Zhejiang Uniview Technologies Co., Ltd. All rights reserved.

\*Product specifications and availability are subject to change without notice.