

1.3MP 22x IR Network PTZ Dome Camera

IPC6241SR-X22



Key Features

Optics

- Accurate and fast focusing
- The third-generation infrared technology
- Smart IR, up to 150 m (492 ft) IR distance
- Optical glass window with higher light transmittance
- IR anti-reflection window to increase the infrared transmittance

Compression

- H.264 High Profile
- Triple streams
- Customized OSD

Network

- ONVIF Conformance

Structure

- Special structure and window design to battle bad weather (especially in dusty weather)
- Innovative snow-removing functionality

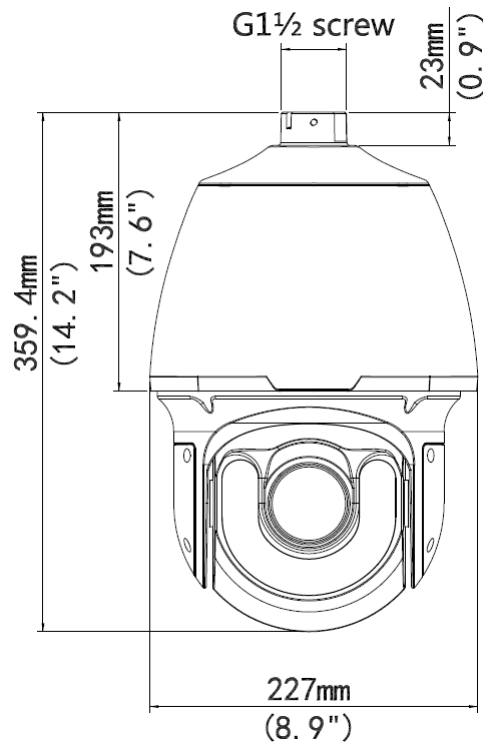
- More effective heat dissipation system
- Intelligent temperature control technology
- 6 KV surge protection designed for network interface

Specifications

	IPC6241SR-X22
Camera	
Sensor	1/3", 1.3 megapixel, progressive scan, CMOS
Lens	4.7 ~ 103 mm (22x optical zoom)
Angle of View (H)	59.7° (wide) ~ 3.1° (tele)
Iris	Auto/Manual; F1.6 ~ F3.2
Shutter	Auto/Manual; shutter time: 1/6 s ~ 1/8000 s
Minimum Illumination	Colour: 0.03 lux (F1.6, 50IRE) B/W: 0.01 lux (F1.6, 50IRE)
S/N	>50dB
Day/Night	IR-cut filter with auto switch (ICR)
Video	
Max. Resolution	1280 × 960
Video Compression	H.264,MJPEG
Frame Rate	960P (1280×960):Max.30 fps; 720P (1280×720):Max.30 fps; D1 (720×576):Max.25 fps
Video Streaming	Triple
OSD	Up to 8 OSDs
Privacy Mask	Up to 8 areas
Digital Zoom	Supported
Audio	
Audio Compression	G.711
Two-way audio	Supported
Storage	
Edge Storage	SD, up to 64 GB
Network	
Protocols	L2TP,IPv4,IGMP,ICMP,ARP,TCP,UDP,DHCP,PPPoE,RTP,RTSP,NTP,FTP,HTTP,SNMP,SIP
Compatible Integration	ONVIF, IMOS,API
Pan & Tilt	
Pan Range	360° (endless)
Pan Speed	0.1°/s ~ 240°/s
	Preset speed: 300°/s
Tilt Range	-15° ~ +90° (auto reverse)
Tilt Speed	0.1° ~ 160°/s
	Preset speed: 240°/s
Number of Preset	255
Patrol	Up to 16 patrols, up to 32 presets per patrol Note: The total number of patrols and patterns is 16.

Pattern	Up to 16 patterns, with the total recording time not less 15 minutes per pattern
Interface	
Audio I/O	3.5 mm audio interface
	Input: impedance 35 k Ω ; amplitude 2 V [p-p]
	Output: impedance 600 Ω ; amplitude 2 V [p-p]
Alarm I/O	2 / 1
Serial Port	1 RS485
Network	10M/100M Base-TX Ethernet
Video Output	1 BNC, impedance 75 Ω ; amplitude 1 V [p-p]
General	
Power	24 V AC, 24 V DC
	Power consumption: 8 ~ 52.5 W (IR:34W, moter:7.5W, heater: Max. 14 W, fan: 3W)
Dimensions (\varnothing x H)	\varnothing 227 x 359.4 mm (\varnothing 8.9" x 14.2")
Weight	5.4 kg (11.9 lb)
Working Environment	-40°C ~ +70°C (-40°F ~ 158°F), Humidity \leq 90% RH(non-condensing)
Ingress Protection	IP66

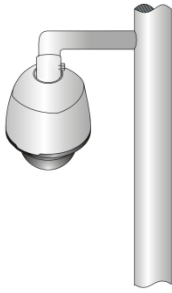
Dimensions



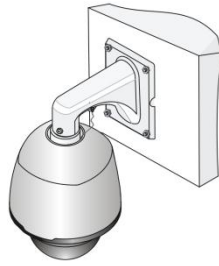
Installation



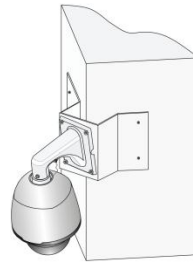
Pendant mount



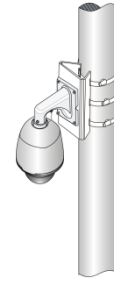
Standing pole mount



Wall mount



Corner mount



Pole mount

Accessories

Installation mode	Accessories	Description
Pendant mount	TR-CE45-IN bracket	/
	Pendant components: TR-UF45-A-IN indoor ceiling plate TR-UF45-B-IN outdoor ceiling plate TR-SE45-IN pendant rod (200mm) TR-SE45-A-IN pendant rod (500mm)	Ceiling plate is optional with different pendant rod for various applications
Standing pole mount	Customized bracket	The interface is designed with internal G1½ screws. The screw depth must be more than 23 mm.
Wall mount	TR-WE45-IN bracket	/
Corner mount	TR-WE45-IN bracket + TR-UC08-A-IN bracket	/
Pole mount	TR-WE45-IN bracket + TR-UP08-A-IN bracket	/

Zhejiang Uniview Technologies Co., Ltd.

South Tower, Building 10, Wanlun Science Park, 88 Jiangling Road, Hangzhou, P.R.China 310051

Email: overseasbusiness@uniview.com; globalsupport@uniview.com

<http://www.uniview.com>

©2015 Zhejiang Uniview Technologies Co., Ltd. All rights reserved.

*Product specifications and availability are subject to change without notice.