

1.3MP 22x Indoor Network PTZ Dome Camera

IPC641E-X22I-IN



Optics

- Accurate and fast focusing
- Lowlight surveillance

Compression

- H.264 High Profile
- Triple streams
- Customized OSD

Network

- ONVIF Conformance

Structure

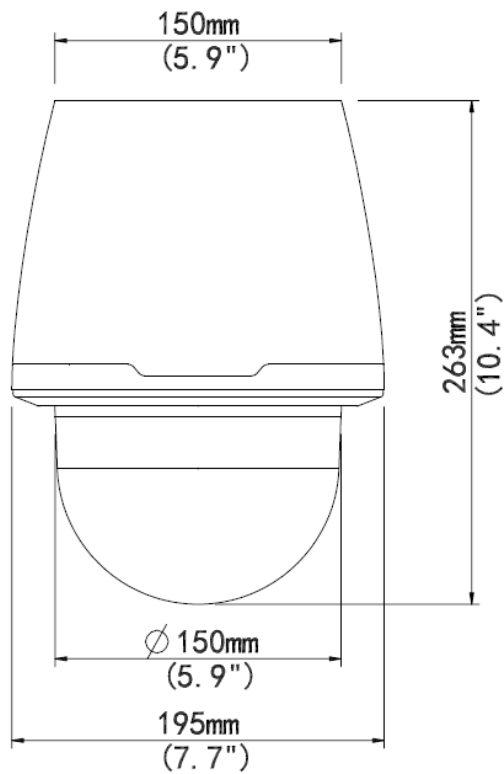
- Fanless, low power consumption
- High precision PTZ controlling with stabilization

Specifications

	IPC641E-X22I-IN
Camera	
Sensor	1/3", 1.3 megapixel, progressive scan, low illumination CMOS
Lens	4.7 ~ 103 mm (22x optical zoom)
Angle of View (H)	59.7° (wide) ~ 3.1° (tele)
Iris	Auto/Manual; F1.6 ~ F3.2
Shutter	Auto/Manual; shutter time: 1/6 s ~ 1/8000 s
Min. Illumination	Colour: 0.03 lux (F1.6, 50IRE) B/W: 0.01 lux (F1.6, 50IRE)
S/N	>50dB
Day/Night	IR-cut filter with auto switch (ICR)
Video	
Max. Resolution	1280 × 960
Video Compression	H.264,MJPEG
Frame Rate	960P (1280×960):Max.30 fps; 720P (1280×720):Max.30 fps; D1 (720×576):Max.25 fps
Video Streaming	Triple
OSD	Up to 8 OSDs
Privacy Mask	Up to 8 areas
Digital Zoom	Supported
Audio	
Audio Compression	G.711
Two-way audio	Supported
Storage	
Edge Storage	SD, up to 64 GB
Network	
Protocols	L2TP,IPv4,IGMP,ICMP,ARP,TCP,UDP,DHCP,PPPoE,RTP,RTSP, NTP,FTP,HTTP,SNMP,SIP
Compatible Integration	ONVIF, IMOS,API
Pan & Tilt	
Pan Range	360° (endless)
Pan Speed	0.1°/s ~ 400°/s
	Preset speed: 540°/s
Tilt Range	-1° ~ +90° (auto reverse)
Tilt Speed	0.1° ~ 240°/s
	Preset speed: 400°/s
Number of Preset	255
Patrol	Up to 16 patrols, up to 32 presets per patrol Note: The total number of patrols and patterns is 16.
Pattern	Up to 16 patterns, with the total recording time not less 15 minutes per pattern
Interface	
Audio I/O	audio cable
	Input: impedance 35 kΩ; amplitude 2 V [p-p]
	Output: impedance 600 Ω; amplitude 2 V [p-p]

Alarm I/O	2 / 1
Serial Port	1 RS485
Network	1 RJ45 10M/100M Base-TX Ethernet
Video Output	1 BNC, impedance 75 Ω; amplitude 1 V [p-p]
General	
Power	24 V AC, 24 V DC, or PoE(IEEE802.3at)
	Power consumption: 9 ~ 13 W
Dimensions (Ø x H)	Ø195 x 263 mm (Ø7.7" x 10.4")
Weight	3.2 kg (7.1 lb)
Working Environment	-20°C ~ +50°C (-4°F ~ 122°F), Humidity ≤ 90% RH(non-condensing)

Dimensions



Installation



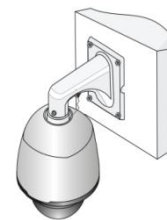
Ceiling mount



In-ceiling mount



Pendant mount



Wall mount

Accessories

Installation mode	Accessories	Description
Ceiling mount	Ceiling bracket is included in the product package	For indoor ceiling installation
In-ceiling mount	TR-FM200-IN bracket	For indoor in-ceiling installation
Pendant mount	TR-UF45-C-IN + TR-CE45-IN	/
Wall mount	TR-UF45-C-IN + TR-WE45-IN	/

Zhejiang Uniview Technologies Co., Ltd.

Building No.10, Wanlun Science Park, Jiangling Road 88, Binjiang District, Hangzhou, Zhejiang, China (310051)

Email: overseasbusiness@uniview.com; globalsupport@uniview.com

<http://www.uniview.com>

©2015 Zhejiang Uniview Technologies Co., Ltd. All rights reserved.

*Product specifications and availability are subject to change without notice.