

# 1.3MP 30x Standard Network PTZ Dome Camera

IPC641E-X30N



## Key Features

### Optics

- 30X Optical Zoom
- Accurate and fast focusing
- Lowlight surveillance

### Compression

- H.264 High Profile
- Triple streams
- Customized OSD

### Network

- ONVIF Conformance

### Structure

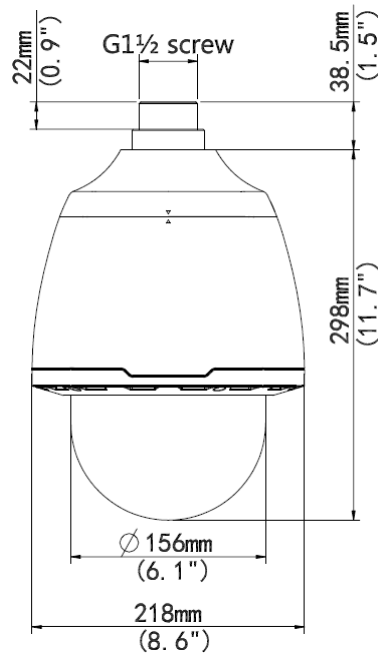
- Intelligent temperature control technology
- High quality sealing structure, support IP67
- 6 KV surge protection designed for network interface

## Specifications

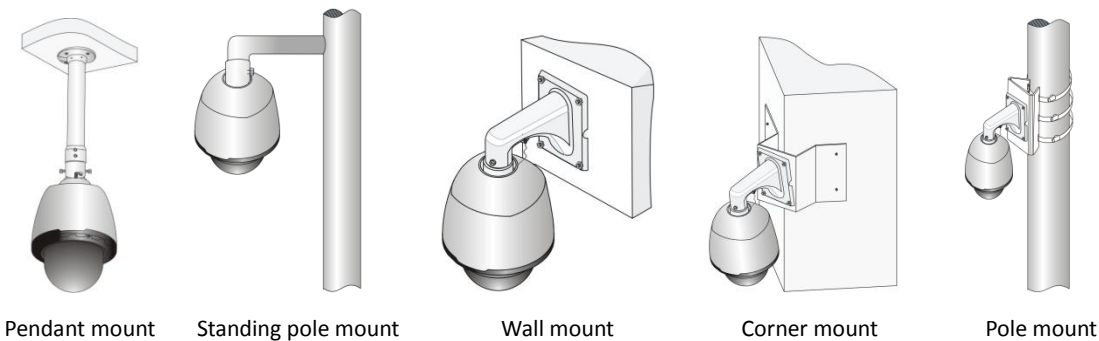
	IPC641E-X30N
<b>Camera</b>	
Sensor	1/3", 1.3 megapixel, progressive scan, low illumination CMOS
Lens	4.5 ~ 135 mm (30x optical zoom)
Angle of View (H)	61.5° (wide) ~ 2.1° (tele)
Iris	Auto/Manual; F1.4 ~ F4.8
Shutter	Auto/Manual; shutter time: 1/6 s ~ 1/8000 s
Min. Illumination	Colour: 0.03 lux (F1.6, 50IRE) B/W: 0.01 lux (F1.6, 50IRE)
S/N	>50dB
Day/Night	IR-cut filter with auto switch (ICR)
<b>Video</b>	
Max. Resolution	1280 × 960
Video Compression	H.264,MJPEG
Frame Rate	960P (1280×960): Max. 30 fps; 720P (1280×720): Max. 30 fps; D1 (720×576): Max. 25 fps
Video Streaming	Triple
OSD	Up to 8 OSDs
Privacy Mask	Up to 8 areas
Digital Zoom	Supported
<b>Audio</b>	
Audio Compression	G.711
Two-way audio	Supported
<b>Storage</b>	
Edge Storage	Micro SD, up to 64 GB
<b>Network</b>	
Protocols	L2TP,IPv4,IGMP,ICMP,ARP,TCP,UDP,DHCP,PPPoE,RTP,RTSP, NTP,FTP,HTTP,SNMP,SIP
Compatible Integration	ONVIF, IMOS,API
<b>Pan &amp; Tilt</b>	
Pan Range	360° (endless)
Pan Speed	0.1°/s ~ 400°/s
	Preset speed: 540°/s
Tilt Range	-20° ~ +90° (auto reverse)
Tilt Speed	0.1° ~ 240°/s
	Preset speed: 400°/s
Number of Preset	255
Patrol	Up to 16 patrols, up to 32 presets per patrol <b>Note:</b> The total number of patrols and patterns is 16.
Pattern	Up to 16 patterns, with the total recording time not less 15 minutes per pattern
<b>Interface</b>	
Audio I/O	3.5 mm audio interface
	Input: impedance 35 kΩ; amplitude 2 V [p-p]
	Output: impedance 600 Ω; amplitude 2 V [p-p]

Alarm I/O	2 / 1
Serial Port	1 RS485
Network	1RJ45 10M/100M Base-TX Ethernet
Video Output	1 BNC, impedance 75 Ω; amplitude 1 V [p-p]
<b>General</b>	
Power	24 V AC, 24 V DC
	Power consumption: 9 ~ 33 W (heater: Max. 20 W)
Dimensions (Ø x H)	Ø218 x 298 mm (Ø8.6" x 11.7")
Weight	4.2 kg (9.3 lb)
Working Environment	-40°C ~ +70°C (-40°F ~ 158°F), Humidity ≤ 90% RH(non-condensing)
Ingress Protection	IP67

## Dimensions



## Installation



## Accessories

Installation mode	Accessories	Description
Pendant mount	TR-CE45-IN bracket	/
	Pendant components: TR-UF45-A-IN indoor ceiling plate TR-UF45-B-IN outdoor ceiling plate TR-SE45-IN pendant rod (200mm) TR-SE45-A-IN pendant rod (500mm)	Ceiling plate is optional with different pendant rod for various applications
Standing pole mount	Customized bracket	The interface is designed with internal G1½ screws. The screw depth must be more than 23 mm.
Wall mount	TR-WE45-IN bracket	/
Corner mount	TR-WE45-IN bracket + TR-UC08-A-IN bracket	/
Pole mount	TR-WE45-IN bracket + TR-UP08-A-IN bracket	/

**Zhejiang Uniview Technologies Co., Ltd.**

Building No.10, Wanlun Science Park, Jiangling Road 88, Binjiang District, Hangzhou, Zhejiang, China (310051)

Email: [overseasbusiness@uniview.com](mailto:overseasbusiness@uniview.com); [globalsupport@uniview.com](mailto:globalsupport@uniview.com)

<http://www.uniview.com>

©2015 Zhejiang Uniview Technologies Co., Ltd. All rights reserved.

\*Product specifications and availability are subject to change without notice.