

# 1.3MP VF Network IR Bullet Camera

IPC2321EBR-P



## Key Features

### Optics

- Day/night functionality
- Smart IR technology
- 3D DNR (Digital Noise Reduction)

### Compression

- Triple streams
- ROI (Region of Interest)
- 9:16 corridor mode
- Customized OSD

### Network

- ONVIF Conformance

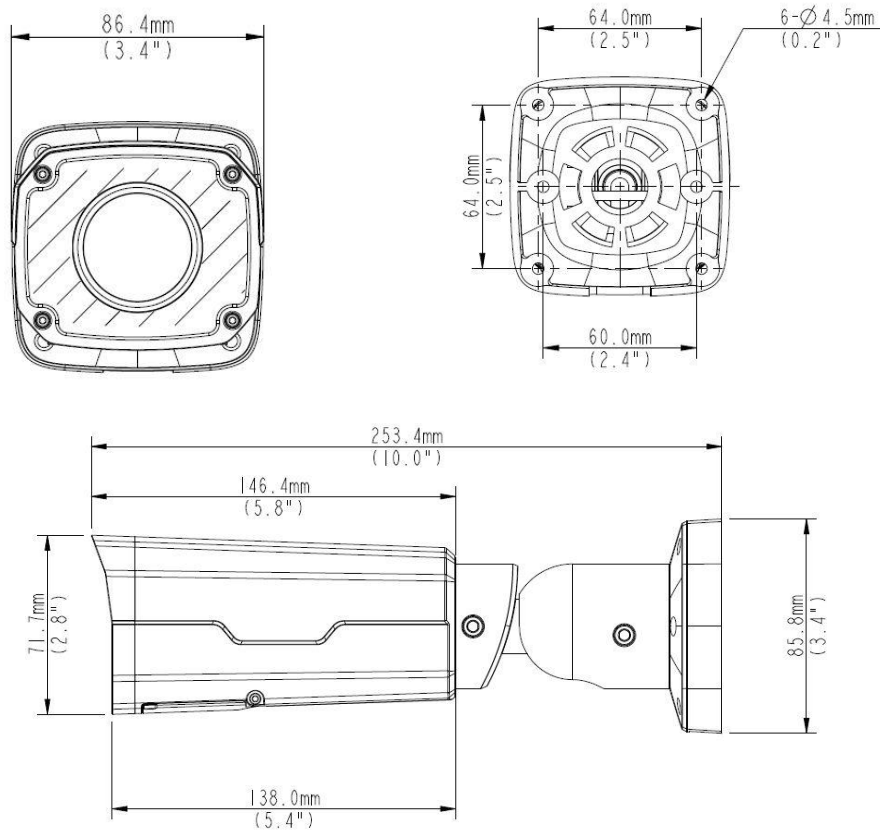
### Structure

- Support PoE power supply
- Wide temperature range: -35°C to 60°C (-31°F to 140°F)
- Wide voltage range of  $\pm 25\%$
- IP66

## Specifications

	IPC2321EBR-P
<b>Camera</b>	
Sensor	1/3", 1.3 megapixel, progressive scan CMOS
Shutter	Auto/Manual, 1/6~1/8000s
Lens	2.8~12 mm@F1.4; Angle of view: 90° ~ 28°
Zoom/Focus	Manual
Min. Illumination	Colour: 0.06 Lux (F1.4, 50IRE) Black & White: 0.03Lux (F1.4, 50IRE)
Day/Night	IR-cut filter with auto switch (ICR)
S/N	>50dB
<b>Video</b>	
Max. Resolution	1280 × 960
Video Compression	H.264, MJPEG
Frame Rate	960P (1280*960) Max. 30 fps; 720P (1280*720) Max. 30 fps; D1 (720*576) Max. 25 fps
9:16 Corridor Mode	Supported
ROI	Supported
Video Streaming	Triple
OSD	Up to 8 OSDs
Privacy Mask	Up to 4 areas
<b>Audio</b>	
Audio Compression	G.711
Two-way audio	Supported
<b>Storage</b>	
Edge Storage	Micro SD, up to 128 GB
<b>Network</b>	
Protocols	L2TP, IPv4, IGMP, ICMP, ARP, TCP, UDP, DHCP, PPPoE, RTP, RTSP, DNS, DDNS, NTP, FTP, UPnP, HTTP, HTTPS, FTP, SMTP, SNMP, SIP, QoS
Compatible Integration	ONVIF, API
<b>Interface</b>	
Audio I/O	Audio cable
	Input: impedance 35 kΩ; amplitude 2 V [p-p]
	Output: impedance 600 Ω; amplitude 2 V [p-p]
Alarm I/O	1 / 1
Network	10M/100M Base-TX Ethernet
<b>General</b>	
Power	12 V DC, or PoE (IEEE802.3 af)
	Power consumption: Max 8W
Material	Cast aluminum
Dimensions (L × W × H)	253.4 ×86 ×71.7 mm (9.98" × 3.4" × 2.8")
Weight	0.58kg (1.28lb)
Working Environment	-35°C ~ +60°C (-31°F ~ 140°F), Humidity ≤ 95% RH(non-condensing)
Ingress Protection	IP66

## Dimensions



## Accessories

Installation mode	Accessories	Description
Wall mount	\	Mounting pedestal is included in the Product package
Ceiling mount	\	Mounting pedestal is included in the Product package
Rail mount	TR-UP06-A-IN	For outdoor rail installation
Pole mount	TR-UP06-A-IN	For outdoor pole installation

### Zhejiang Uniview Technologies Co., Ltd.

South Tower, Building 10, Wanlun Science Park, 88 Jiangling Road, Hangzhou, P.R.China 310051

Email: [overseasbusiness@uniview.com](mailto:overseasbusiness@uniview.com); [globalsupport@uniview.com](mailto:globalsupport@uniview.com)

<http://www.uniview.com>

©2015 Zhejiang Uniview Technologies Co., Ltd. All rights reserved.

\*Product specifications and availability are subject to change without notice.