

2MP WDR Starlight Vandal-resistant Network IR Fixed Dome Camera

IPC3232ER3-DUVZ



Key Features

Optics

- Day/night functionality
- Smart IR, up to 30 m (98 ft) IR distance
- Up to 120 dB Optical WDR(Wide Dynamic Range)
- Starlight illumination
- 3D DNR (Digital Noise Reduction)

Compression

- H.265, H.264, MJPEG
- Triple streams
- ROI (Region of Interest)
- 9:16 corridor mode

Network

- ONVIF Conformance

Structure

- Support PoE power supply
- Built-in PoE splitter that outputs DC 12V
- Wide temperature range: -40°C to 60°C (-40°F to 140°F)

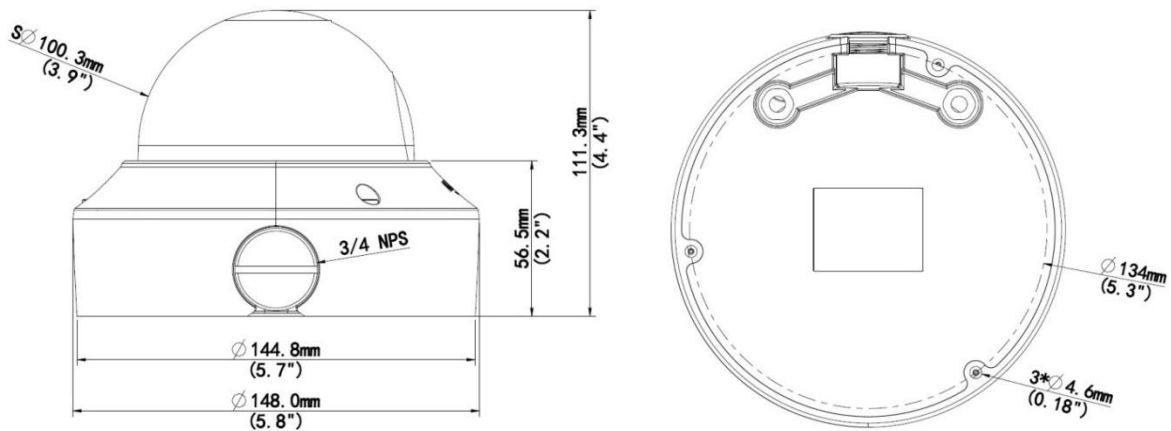
- Wide voltage range of $\pm 25\%$
- IK10 vandal resistant
- IP66

Specifications

Camera	IPC3232ER3-DUVZ	
Sensor	1/2.8", 2.0 megapixel, progressive scan CMOS	
Shutter	Auto/Manual, 1/6~1/8000 s	
Lens	2.8~12 mm@F1.4; Angle of View (H): 105.0° (wide) ~30° (tele)	
Zoom/Focus	4X Optical Zoom / Auto Focus	
Min. Illumination	Colour: 0.002 Lux (F1.4, AGC ON) 0Lux with IR	
Day/Night	IR-cut filter with auto switch (ICR)	
IR Range	Up to 30m (98 ft) IR range	
S/N	>52dB	
WDR	Optical WDR(up to 120dB)	
Video		
Max. Resolution	1920 x 1080	
Video Compression	H.265,H.264,MJPEG	
Capture Collect Mode	1080P (1920×1080): Max. 30 fps; 720P (1280×720): Max. 30 fps; D1 (720×576): Max. 25 fps	
9:16 Corridor Mode	Supported	
ROI	Supported	
Video Streaming	Triple	
OSD	Up to 8 OSDs	
Privacy Mask	Up to 4 areas	
Audio		
Audio Compression	G.711	
Two-way audio	Supported	
Storage		
Edge Storage	Micro SD, up to 128 GB	
Network		
Protocols	L2TP, IPv4, IGMP, ICMP, ARP, TCP, UDP, DHCP, PPPoE, RTP, RTSP, DNS, DDNS, NTP, FTP, UPnP, HTTP, HTTPS, FTP, SMTP, SNMP, SIP, QoS	
Compatible Integration	ONVIF, API	
Interface		
Audio I/O	Audio cable	
	Input: impedance 35 k Ω ; amplitude 2 V [p-p]	
	Output: impedance 600 Ω ; amplitude 2 V [p-p]	
Alarm I/O	1/ 1	
Network	1 RJ45 10M/100M Base-TX Ethernet	
Video Output	1 BNC, impedance 75 Ω ; amplitude 1 V [p-p]	
Reset	1 Reset Button	

Power Output	DC12V Power Output With PoE
General	
Power	12 V DC, or PoE (IEEE802.3 af)
	Power consumption: Max.7.6 W (PoE :Max.8.2 W)
Dimensions (Ø x H)	Ø148 x 111.3 mm (Ø5.8" x 4.4")
Weight	0.75 kg (1.7 lb)
Working Environment	-40°C ~ +60°C (-40°F ~ 140°F), Humidity ≤ 95% RH(non-condensing)
Vandal Resistant	IK10
Ingress Protection	IP66

Dimensions



Accessories

Installation mode	Accessories	Description
Ceiling mount	Mounting pedestal is included in the product package	For indoor ceiling installation

Zhejiang Uniview Technologies Co., Ltd.

Building No.10, Wanlun Science Park, Jiangling Road 88, Binjiang District, Hangzhou, Zhejiang, China (310051)

Email: overseasbusiness@uniview.com; globalsupport@uniview.com

<http://www.uniview.com>

©2016 Zhejiang Uniview Technologies Co., Ltd. All rights reserved.

*Product specifications and availability are subject to change without notice.