

3MP 33x IR Network PTZ Dome Camera

IPC6253SR-X33



Key Features

Optics

- 33x optical zoom
- Accurate and fast focusing
- Up to 120 dB WDR(Wide Dynamic Range)
- Smart IR, up to 150 m (492 ft) IR distance
- IR anti-reflection window to increase the infrared transmittance

Compression

- H.265
- Triple streams
- Customized OSD

Network

- ONVIF Conformance

Structure

- 15° Elevation Angle
- Innovative snow-removing functionality

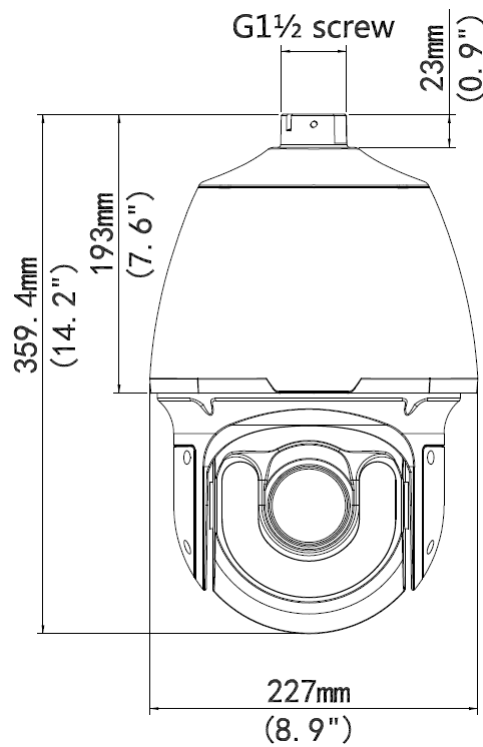
- More effective heat dissipation system
- Intelligent temperature control technology
- 6 KV surge protection designed for network interface

Specifications

Camera	IPC6253SR-X33
Sensor	1/2.8", 3 megapixel, progressive scan, CMOS
Lens	4.5 ~ 148.5 mm (33x optical zoom)
Angle of View (H)	62.93° (wide) ~ 3.51° (tele)
Iris	Auto/Manual; F1.6 ~ F5.3
Shutter	Auto/Manual; shutter time: 1/6 s ~ 1/8000 s
Minimum Illumination	Colour: 0.02 Lux (F1.6, AGC ON) 0 Lux with IR
S/N	>55 dB
WDR	120 dB
Day/Night	IR-cut filter with auto switch (ICR)
Video	
Max. Resolution	2048 × 1536
Video Compression	H.265, H.264, MJPEG
Frame Rate	3MP (2048×1536):Max.30 fps; 1080P (1920×1080):Max.60 fps
Video Streaming	Triple
OSD	Up to 8 OSDs
Privacy Mask	Up to 4 areas
Digital Zoom	Supported
Audio	
Audio Compression	G.711
Two-way audio	Supported
Storage	
Edge Storage	Micro SD, up to 128 GB
Network	
Protocols	L2TP, IPv4, IGMP, ICMP, ARP, TCP, UDP, DHCP, PPPoE, RTP, RTSP, DNS, DDNS, NTP, FTP, UPnP, HTTP, HTTPS, SMTP, SNMP, SIP, QoS
Compatible Integration	ONVIF, API
Pan & Tilt	
Pan Range	360° (endless)
Pan Speed	0.1°/s ~ 240°/s
	Preset speed: 300°/s
Tilt Range	-15° ~ +90° (auto reverse)
Tilt Speed	0.1° ~ 160°/s
	Preset speed: 240°/s
Number of Preset	256
Patrol	Preset patrol, route patrol, recorded patrol

Home Position	Supported
Interface	
Audio I/O	Audio cable
	Input: impedance 35 k Ω ; amplitude 2 V [p-p]
	Output: impedance 600 Ω ; amplitude 2 V [p-p]
Alarm I/O	2 / 1
Serial Port	1 RS485
Network	10M/100M Base-TX Ethernet
Video Output	1 BNC, impedance 75 Ω ; amplitude 1 V [p-p]
General	
Power	24 V AC (Default), 24 V DC
	Power consumption: 11~47W
Dimensions (ϕ x H)	ϕ 227 x 359.4 mm (ϕ 8.9" x 14.2")
Weight	5.5 kg (12.1 lb)
Working Environment	-40°C ~ +70°C (-40°F ~ 158°F), Humidity \leq 95% RH(non-condensing)
Ingress Protection	IP66

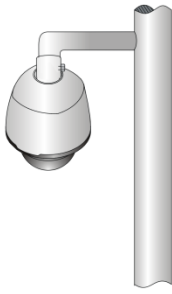
Dimensions



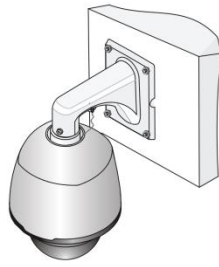
Installation



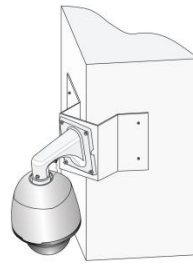
Pendant mount



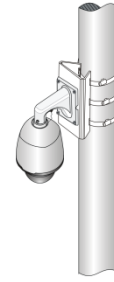
Standing pole mount



Wall mount



Corner mount



Pole mount

Accessories

Installation mode	Accessories	Description
Pendant mount	TR-CE45-IN bracket	/
	Pendant components: TR-UF45-A-IN indoor ceiling plate TR-UF45-B-IN outdoor ceiling plate TR-SE45-IN pendant rod (200mm) TR-SE45-A-IN pendant rod (500mm)	Ceiling plate is optional with different pendant rod for various applications
Standing pole mount	Customized bracket	The interface is designed with internal G1½ screws. The screw depth must be more than 23 mm.
Wall mount	TR-WE45-IN bracket	/
Corner mount	TR-WE45-IN bracket + TR-UC08-A-IN bracket	/
Pole mount	TR-WE45-IN bracket + TR-UP08-A-IN bracket	/

Zhejiang Uniview Technologies Co., Ltd.

Building No.10, Wanlun Science Park, Jiangling Road 88, Binjiang District, Hangzhou, Zhejiang, China (310051)

Email: overseasbusiness@uniview.com; globalsupport@uniview.com

<http://www.uniview.com>

©2016 Zhejiang Uniview Technologies Co., Ltd. All rights reserved.

*Product specifications and availability are subject to change without notice.