

# IPC641E-X22IR-IN 1.3MP 22x IR Network PTZ Dome Camera



## Key Features

### Optics

- Accurate and fast focusing
- Smart IR, up to 150 m (492ft) IR distance
- Optical glass window with higher light transmittance
- IR anti-reflection window to increase the infrared transmittance

### Compression

- H.264 High Profile
- Triple streams

### Network

- ONVIF Conformance

### Structure

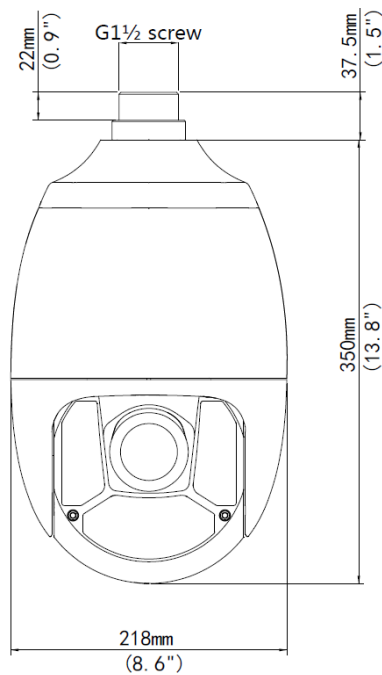
- Fast installation structure design
- Innovative snow-removing functionality
- More effective heat dissipation system
- Intelligent temperature control technology
- 6 KV surge protection designed for network interface

## Specifications

	IPC641E-X22IR-IN
<b>Camera</b>	
Sensor	1/3", 1.3 Megapixel, progressive scan, CMOS
Lens	4.7 ~ 103 mm (22x optical zoom)
Angle of View (H)	59.7° (wide) ~ 3.1° (tele)
Iris	Auto/Manual; F1.6 ~ F3.2
Shutter	Auto/Manual; shutter time: 1/6 s ~ 1/8000 s
Minimum Illumination	Color: 0.03 lux (F1.6, 50IRE) B/W: 0.01 lux (F1.6, 50IRE)
S/N	>50dB
Day/Night	IR-cut filter with auto switch (ICR)
<b>Video</b>	
Max. Resolution	1280 × 960
Video Compression	H.264,MJPEG
Frame Rate	960P (1280×960):Max.30 fps; 720P (1280×720):Max.30 fps; D1 (720×576):Max.25 fps
Video Streaming	Triple
OSD	Up to 8 OSDs
Privacy Mask	Up to 8 areas
Digital Zoom	Support
<b>Audio</b>	
Audio Compression	G.711
Two-way Talking	Support
<b>Storage</b>	
Edge Storage	SD, up to 64 GB
<b>Network</b>	
Protocols	L2TP,IPv4,IGMP,ICMP,ARP,TCP,UDP,DHCP,PPPoE,RTP,RTSP,Qos,NTP,FTP,HTTP,SNMP,SIP
Compatible Integration	ONVIF, IMOS,API
<b>Pan &amp; Tilt</b>	
Pan Range	360° (endless)
Pan Speed	0.1°/s ~ 240°/s
	Preset speed: 300°/s
Tilt Range	-15° ~ +90° (auto reverse)
Tilt Speed	0.1° ~ 160°/s
	Preset speed: 240°/s
Number of Preset	255
Patrol	Up to 16 patrols, up to 32 presets per patrol <b>Note:</b> The total number of patrols and patterns is 16.
Pattern	Up to 16 patterns, with the total recording time not less 15 minutes per pattern
<b>Interface</b>	
Audio I/O	Audio cable
	Input: impedance 35 kΩ; amplitude 2 V [p-p]
	Output: impedance 600 Ω; amplitude 2 V [p-p]

Alarm I/O	2 / 1
Network	1 RJ45 10M/100M Base-TX Ethernet
Serial	1 RS485
<b>General</b>	
Power Supply	24 V AC
	Power consumption: 9 ~ 42W (IR:16W, heater: Max. 24 W)
Dimensions (∅ x H)	∅218mm×350mm(∅8.6" x 13.8")
Weight	5.8kg(12.8lb)
Working Environment	-40°C ~ +70°C (-40°F ~ 158°F), Humidity ≤ 90% RH(non-condensing)
Ingress Protection	IP66

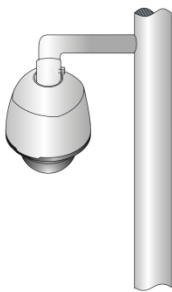
## Dimensions



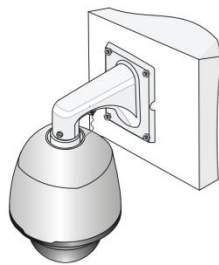
## Installation



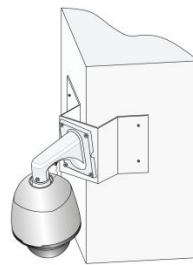
Pendant mount



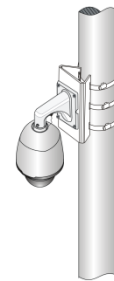
Standing pole mount



Wall mount



Corner mount



Pole mount

## Accessories

Installation mode	Accessories	Description
Pendant mount	AE-TR-CE45 bracket	/
	Pendant components: AE-TR-UF45-A indoor ceiling plate AE-TR-UF45-B outdoor ceiling plate AE-TR-SE45 pendant rod (200mm) AE-TR-SE45-A pendant rod (500mm)	Ceiling plate is optional with different pendant rod for various applications
Standing pole mount	Customized bracket	The interface is designed with internal G1½ screws. The screw depth must be more than 23 mm.
Wall mount	AE-TR-WE45 bracket	/
Corner mount	AE-TR-WE45 bracket + AE-TR-UC08-A bracket	/
Pole mount	AE-TR-WE45 bracket + AE-TR-UP08-A bracket	/

### Zhejiang Uniview Technologies Co., Ltd.

Building No.10, Wanlun Science Park, Jiangling Road 88, Binjiang District, Hangzhou, Zhejiang, China (310051)

Email: [overseasbusiness@uniview.com](mailto:overseasbusiness@uniview.com); [globalsupport@uniview.com](mailto:globalsupport@uniview.com)

<http://www.uniview.com>

©2015 Zhejiang Uniview Technologies Co., Ltd. All rights reserved.

\*Product specifications and availability are subject to change without notice.